

Pistole Encore HD - rozkres

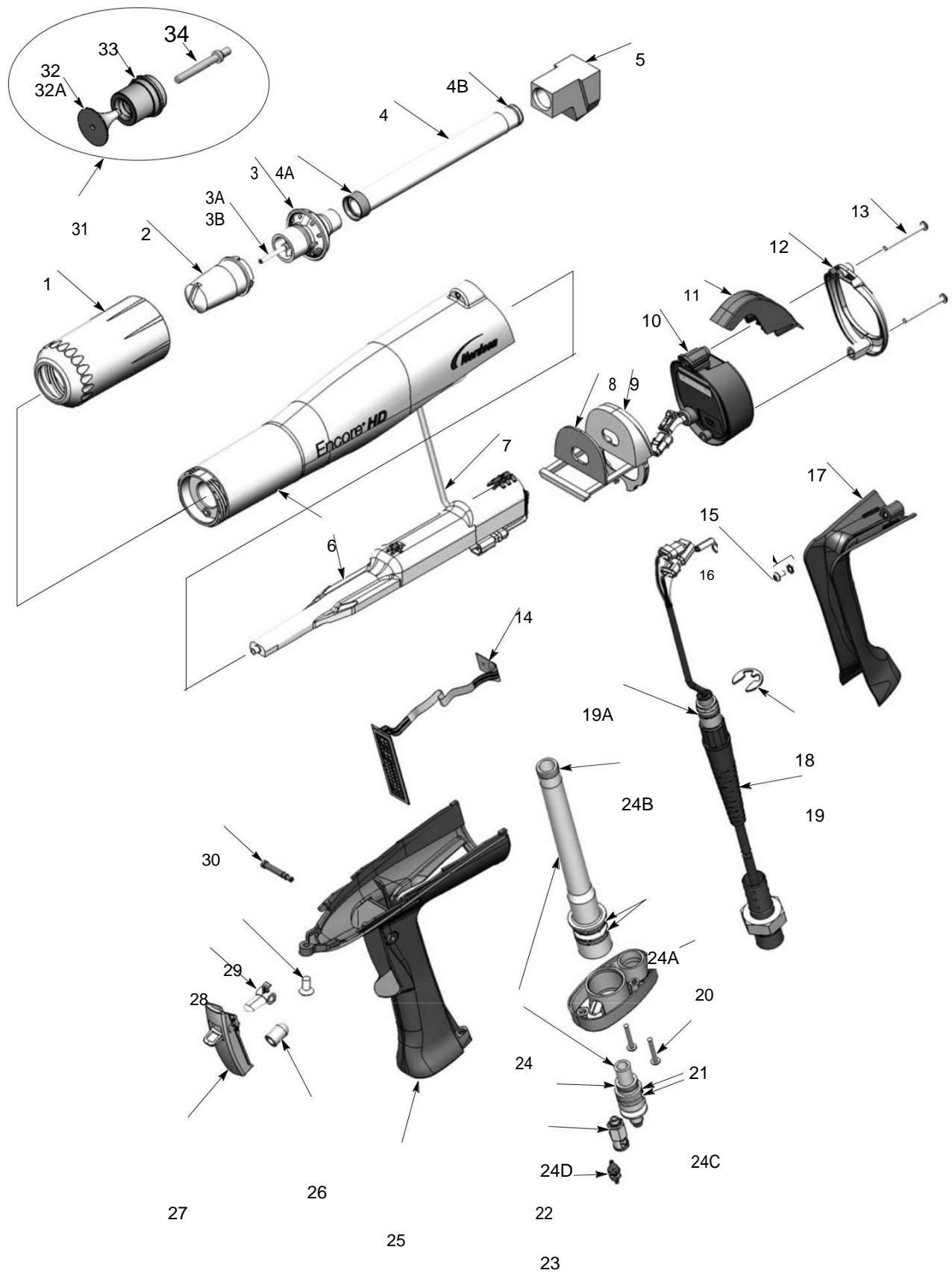


Figure 7-1 Exploded View of Encore HD Manual Spray Gun and Accessories

Spray Gun Parts List

See Figure 7-1.

Item	Part	Description	Quantity	Note
-	1603160	GUN ASSEMBLY, manual, Encore HD	1	
1	1081638	§ NUT, nozzle, handgun	1	
2	1081657	S NOZZLE, flat spray, 3 mm	1	A
3	1604824	S ELECTRODE ASSEMBLY, Encore, flat spray	1	F
3A	1106078	§ S ELECTRODE, spring contact	1	
3B	1605863	§ S HOLDER, electrode, M3, flat spray, Encore	1	F
4	1606082	S KIT, powder outlet tube, Encore HD	1	D
4A	1097527	§ S SEAL, tube, powder	1	
4B	1081785	§ S O-RING, silicone, 0.468 x 0.568 x 0.05 in.	1	
5	1096695	S ELBOW, powder tube, handgun	1	D
6	1608280	S KIT, neg power supply/manual body, Encore	1	H
7	1088558	§ S FILTER ASSEMBLY, handgun		
8	1088502	S GASKET, multiplier cover, handgun	1	
9	1106872	S BULKHEAD, multiplier, handgun, Encore HD	1	
10	1100986	S KIT, handgun display module, Encore	1	
NS	1085631	§ S SUPPORT, adhesive, handgun, Encore	1	
11	1087760	§ HOOK, handgun	1	
12	1102648	§ BEZEL, shield, plated	1	
13	345071	S SCREW, pan head, recessed, M3 x 35, BZN	2	
14	1101872	S KIT, trigger switch, Encore HD	1	
NS	1085631	§ S SUPPORT, adhesive, handgun, Encore	1	
15	983520	S WASHER, lock, internal, M3, zinc	1	
16	982427	S MACHINE SCREW, pan head, recessed, M3 x 6, zinc	1	
17	1106871	S HANDLE, ground pad, handgun, Encore HD	1	
18	1081777	S RETAINING RING, external, 10 mm	1	
19	1600745	S CABLE ASSY, handgun, 6 meter, Encore HD	1	E
19A	940129	§ S O-RING, silicone, conductive, 0.375 x 0.50in.	1	
20	1087762	§ BASE, handle, handgun	1	
21	760580	S SCREW, Philips head, M3 x 20, zinc	2	
22	1081617	S CHECK VALVE, male, M5 x 6 mm	1	
23	1081616	S FITTING, bulkhead, barb, dual, 10-32 x 4 mm	1	
24	1608282	S KIT, inlet tube and hose adapter, Encore HD, Gen 2	1	
24A	1084773	§ S O-RING, silicone, 18 mm ID x 2 mm wide	2	
24B	1081785	§ S O-RING, silicone, 0.468 x 0.568 x 0.05 in.	1	
24C	1606709	§ S O-RING, PUR, 0.551 x 0.07 x 0.7	2	
24D	940137	§ S O-RING, silicone, 0.437 x 0.562 x 0.063	1	
25	1600819	S HANDLE, handgun, Encore HD	1	
26	1106892	S ACTUATOR, switch, trigger, Encore HD	1	
27	1606999	S KIT, service, Encore trigger axle/trigger	1	
28	1081540	§ TRIGGER, setting, handgun	1	
29	1088601	S SCREW, flat head, recess, M5x 10, nylon	1	

Continued...

Item	Part	Description	Quantity	Note
30	1606998	S AXLE, trigger, spray gun, Encore	1	G
31	1604828	S KIT, conical nozzle, Encore	1	
32	1083206	S DEFLECTOR assembly, conical, 26 mm	1	A
32A	1098306	S S O-RING, Viton, 3 mm x 1.1 mm wide	1	B
33	1082060	S NOZZLE, conical	1	A
34	1605861	S HOLDER, electrode, M3, conical, Encore	1	
NS	900617	S TUBE, polyurethane, 4 mm OD, clear	AR	C
NS	900741	S TUBING, polyurethane, 6/4 mm, black	AR	C
NS	900620	S TUBING, poly, spiral cut, $\frac{3}{8}$ in. ID	AR	C
NS	1081658	S NOZZLE, flat spray, 4 mm	1	A

NOTE A: 3- and 4-mm flat spray nozzles, conical nozzle, and deflector are shipped with the spray gun. Refer to the following pages for optional nozzles.

B: This O-ring is a component of all deflectors.

C: Order in increments of one foot or one meter.

D: Also available in wear resistant material. Refer to *Spray Gun Options*.

E: Optional 6 meter extension available; refer to *Spray Gun Options*.

F: For flat spray nozzle use only. Use kit item 32 to convert for conical nozzle and deflector use.

G: Included with trigger switch kit 1101872.

H: Application Specific: Order part number 1609053 if a positive power supply is needed. The positive power supply is sold separately from the gun body.

